



### Ideal for receptions and events...

Brio Plus Tent Series Tents has been designed for intense use in a busy event rental market. The Brio system offers highly efficient solutions for VIP events, parties, exhibitions, promotions as well as tailor-made storage facilities from simple to extensive.

This product gives you the ability to extend from 6m to 8m, 8m to 10m and 10m to 12m in width using the split roof beam system.

We guarantee that all our structures are tested and approved in compliance with the applicable regulations. As all system components are available for years to come, the combination and expansion options are limitless.





70X130

## TECHNICAL DETAILS

Easy to transport, assemble, dismantle, store and clean. Assembly with and without system cassette flooring possible

### Frame

The frame is manufactured by Structas from a combination of high grade anodised aluminium and corrosive resistant galvanised steel for the connecting parts.

- Trusses of extruded 4-groove aluminium hollow profiles
- Specialty designed Curtain tubes (Standard Version)
- Curtain tubes, eave purlins and gable wall beams made of aluminium
- All aluminium components are technically anodized.
- All cables are PVC-coated, preventing blackening stains on contact with the covers
- All steel parts are hot-dip galvanized according to DIN EN ISO 1461
- Completely maintenance-free frame
- Simple installation of the covers from the ground through keder channels
- Adjustable base plates for compensation of unlevel surfaces.
- Structure lengths in 5 m increments
- Structures may be joined to form larger areas
- Portal beams for free access to all points available on request; without disturbing cables or braces



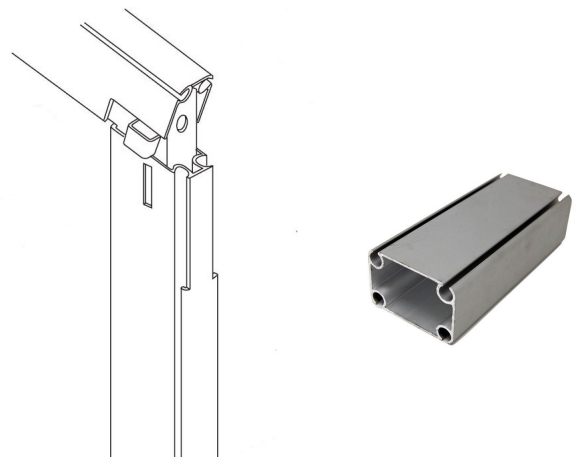
### Covers

Covers are supplied using the latest in low wick, anti-fungicide high gloss white, flame retardant translucent or Opaque PVC in accordance to international standards including DIN 4102 B1, BS 5438 / 7837.

- Textile covers made of polyester fabric, coated with PVC on both sides, weight approx. 630 g/m<sup>2</sup>
- Translucent roof covers for daylight conditions inside the tent
- Opaque covers for black-out conditions
- Time-saving expander tensioning system for fixation of roof covers (Standard Version)
- Secure fixing of the valance using the spindle-fix system stops valance flapping in the wind and offers additional rain protection in eave area (Plus Version)
- Flame retardant according to DIN 4102, fire class B1
- For side and gable curtains, quality zippers: Rapid opening and closing
- Standard fabric colour white; other colours available on request
- Side curtains with windows in several attractive designs

### Options

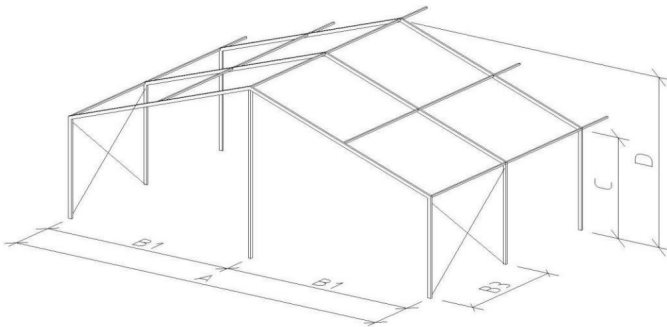
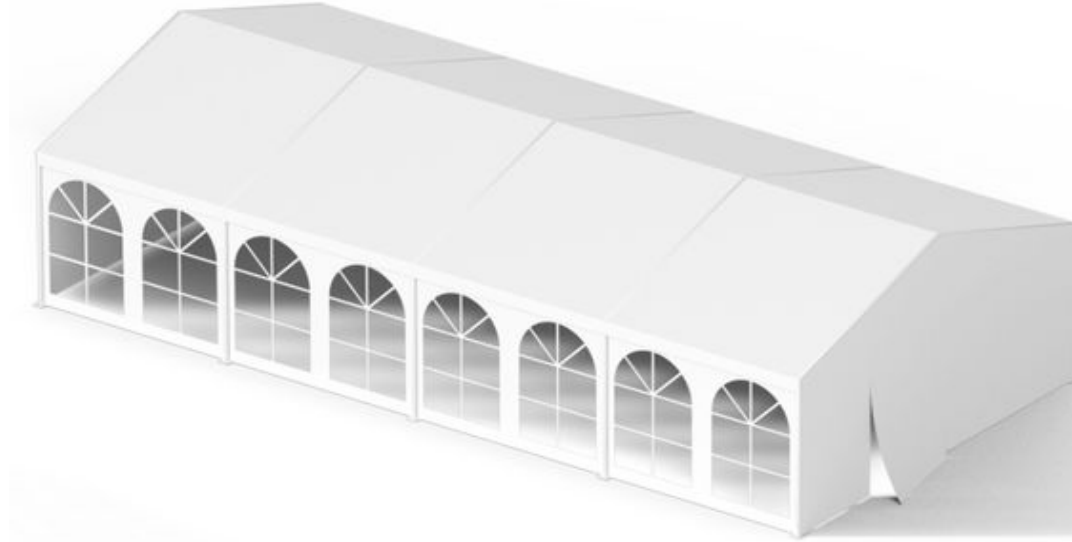
- Roll-up entrances
- Aluminium doors, double-wing
- Gables with ventilations
- Roof covers and side curtains of transparent foil
- Covers with individual texts or motifs for branding
- Cassette flooring
- Ramps at entrances and exits
- Assembly tools



NOTE: Subject to alterations in the interest of product improvement in line with state-of-the-art technology progress



70X130



### Dimensions

TYPE	8/240	8/300	10/240	10/300	12/240	12/300
Width (system dimension) (m) (A)	8.00	8.00	10.00	10.00	12.00	12.00
Eave height (cm) (C)	240	300	240	300	240	300
Ridge height (cm) (D)	406	468	420	482	4.36	4.96
Truss-distance (m) (B3)	5.00	5.00	5.00	5.00	5.00	5.00
Minimum structure length (m)	10	10	10	10	10	10
Roof slope (degrees)	20	20	20	20	20	20
Longest component (m)	4.20	4.20	5.40	5.40	6.60	6.60
Gable pole	x	x	x	x	x	x
Spindle-fix roof tensioning system	x	x	x	x	x	x
Profile	130/70/3mm	130/70/3mm	130/70/3mm	130/70/3mm	130/70/3mm	130/70/3mm

Roof covering type - Premium grade, high gloss white, PVC coated polyester fabric - UV resistant and flame retardant according to: DIN 4102 B1, M2; BS 5438/7837; USA NFPA701.

Aluminium type - Hard Pressed Extruded Structural Aluminium

NOTE: Subject to alterations in the interest of product improvement in line with state-of-the-art technology progress